

FLAMMABLE DUST COLLECTION

For SAFE capture and collection of flammable or explosive dusts from working of aluminum, magnesium, titanium or similar metals/materials

Specifications: (Stainless or Galv.)

- 1) Construction to be of 12 gauge for all metal surfaces that are in contact with water, other construction to be 14 gauge.
- 2) Motor and Blower to be of Plug Fan design, direct drive, TEFC motor, backward inclined wheel design of steel or aluminum construction. Non sparking.
- 3) Impeller to have at least a double (twice) water reversal design and have a minimum of 3" to 4" of pressure loss (w.g.)
- 4) Sludge Collection Tub to be angled and have clear access for removal of sludge.
- 5) Manual water level to be clearly marked by white plastic plate (unit blower off).
- 6) Following Impeller (in direction of air flow) shall be an after-filter/ mist eliminator combination constructed of polyester or other equal water resistant material. This shall be enclosed in a metal frame that provides rigid support for the filters.
- 7) Blower outlet chamber shall be lined with minimum of ½" closed cell poly foam.
- 8) Vertical Up or Down Inlet either side.
- 9) Full range of blowers allowing up to 10" external static pressure capability.



Above unit is 6,000 cfm, 25 hp., 10" external static, automatic water level control and equipped with Magnesium Constant Ventilation.

**"Simple, Safe, Efficient, Economical"
(meets NFPA requirements)**

OPTIONS

- 1) **Magnesium constant ventilation fan** design to allow for exhausting of tub 24/7 once magnesium dust is present. Electrical controls to control this design are to be part of the equipment. To meet NFPA 651.
- 2) **Electronic Water Level Control** assures optimum water level range for best performance. Also shuts down blower operation if water level exceeds upper or lower level safety set points.



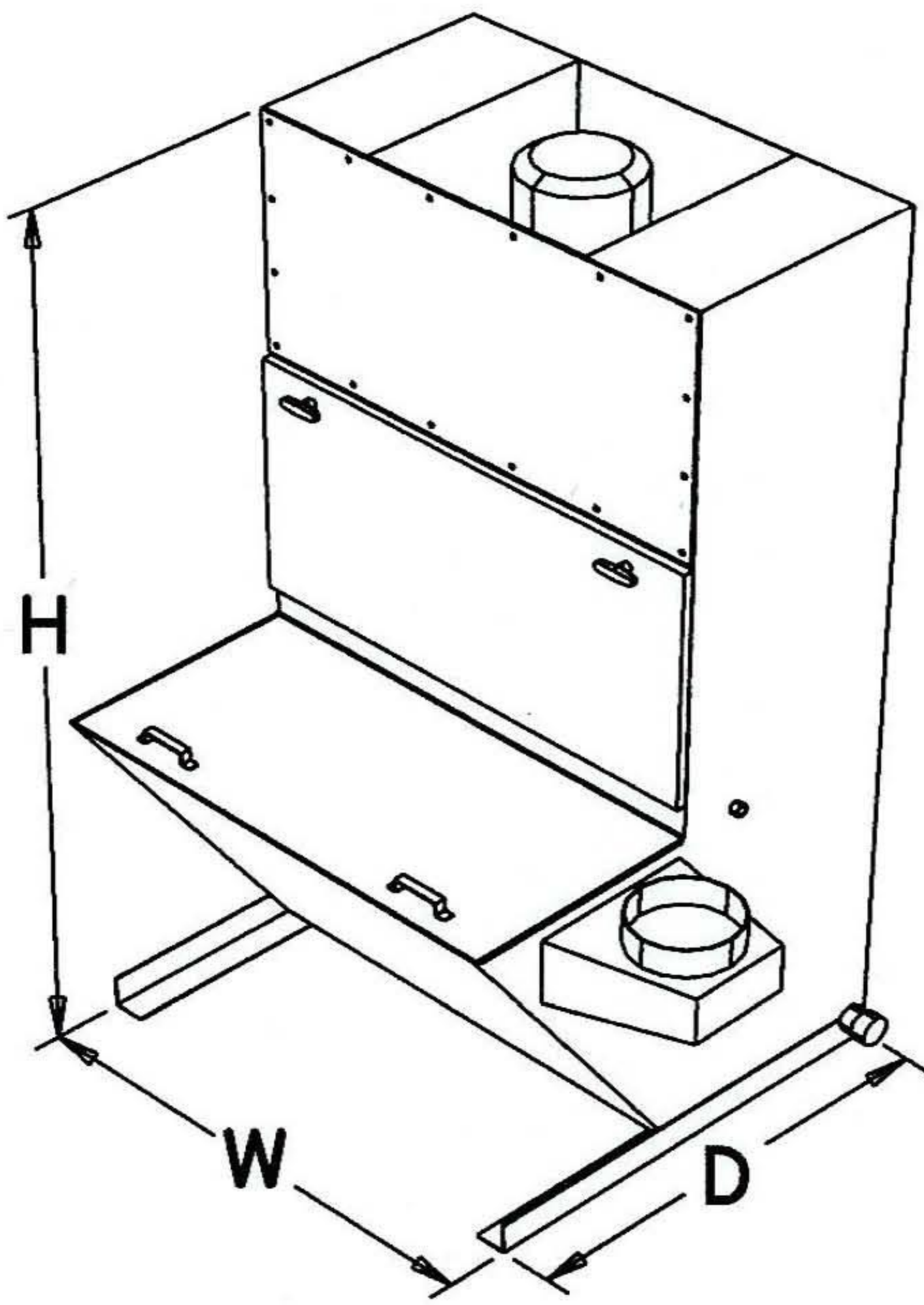
Phone: 1-800-267-5585
www.qamanage.com



Fax: 1-866-899-8954
info@qamanage.com

HydroAIR™

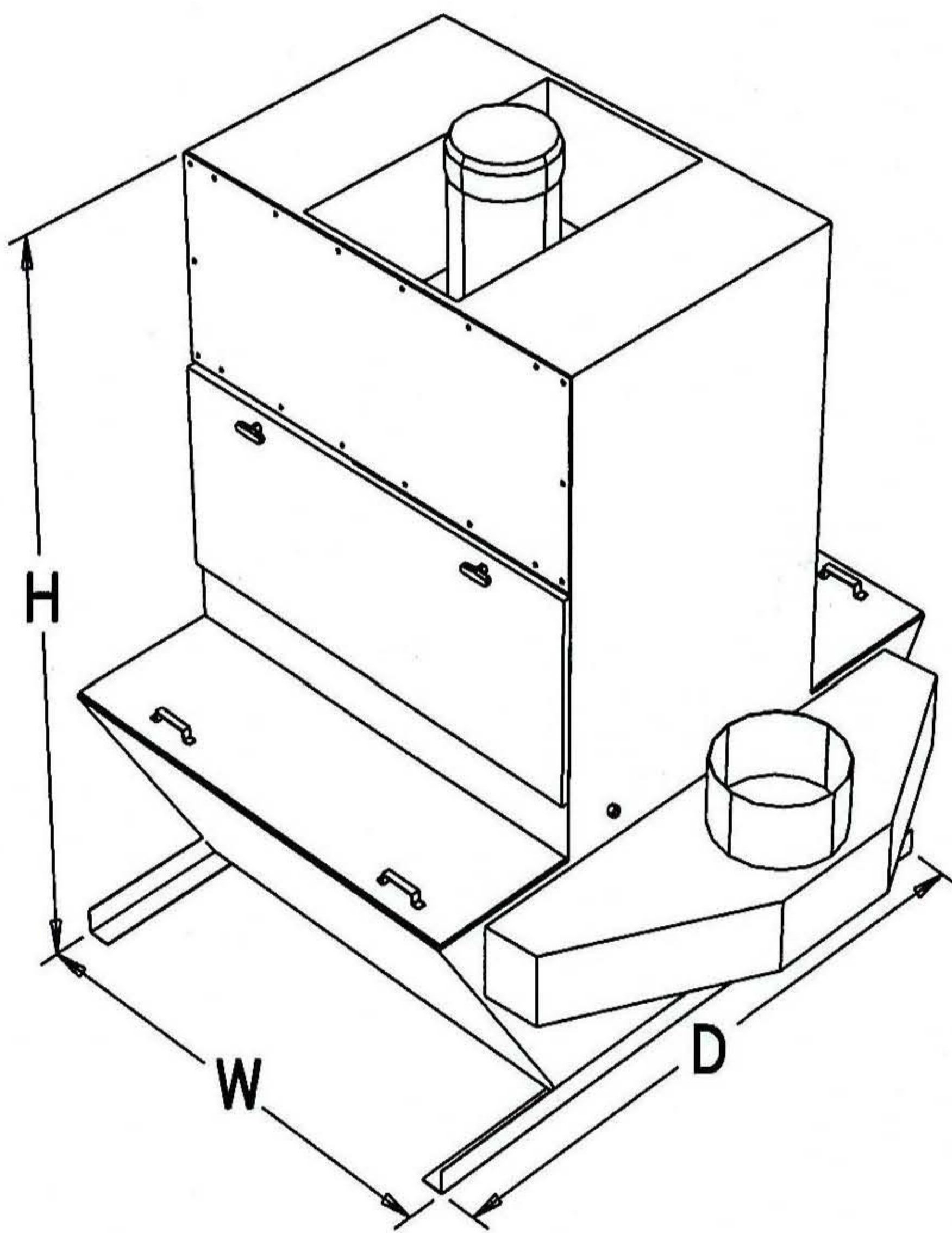
ReplaceAIR™ Wet Dust Collector Scrubbers



Model	CFM	Inlet	H	W	D
DBS-4	2000	10"	90"	60"	50"
DBS-5	3000	12"	90"	76"	50"
DBS-6	4000	2@10"	90"	96"	50"



Top Picture showing Air Canada double sided Wet Collector Scrubber with tub door open and the full Electronic Automatic Water Level Control System. Control Panel remote mounted.



Model	CFM	Inlet	H	W	D
DSB2-4	4000	2@10"	96"	76"	84"
DSB2-5	6000	2@12"	96"	92"	84"
DSB2-6	8000	2@14"	96"	108"	84"

Below illustrates the unique Final Mist Eliminator/Filter Pyramids (Stainless always) that eliminate possible air born mist and supplies final Air Cleaning. Optional: Higher Efficiency Filters.



Phone: 1-800-267-5585
www.qamanage.com



Fax: 1-866-899-8954
info@qamanage.com