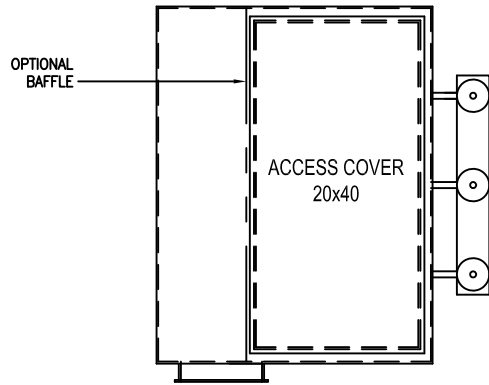


CV203 & CV206 SPECIFICATIONS



CONSTRUCTION: 12 gauge HRS, SSPC-SP3 power-tool cleaned, epoxy primed and exterior finish coat of medium-dark brown paint, access cover to filters, pyramidal hopper and long legs, automatic pulse-jet cleaning of filters. Air enters a high side inlet into a large distribution/dropout chamber where heavy and/or impulsive dust loads drop directly to the drawer or hopper. Air then enters the filter chamber where up to 99% of the remaining dust is filtered. Air leaving the outlet is clean enough to be recirculated back to the work area.

SELF-CLEANING: New advanced technology high efficiency pulse jet system cleans up to 100% of media, entirely on-line, allowing for **less filters, less cleaning frequency and HEPA type filtration.** Diaphragm valves and pulse-pipes are sized for 125% of compressed air delivery required. Only 1/3 of the cartridges are pulsed at once to prevent blowback in the system.

AIRFLOW(recommended for most applications): CV203= 1000 scfm, CV206= 2000 scfm.

INLET & OUTLET COLLAR: CV203= 7.88"dia, CV206= 11.88"dia

FILTERS: vertically mounted FLO-MAX cartridge filters, 8" x 19", washable synthetic media, low pressure drop, non-bridging, non-pinching design. CV203 has three(3) filters, CV206 has six(6) filters.

WEIGHT: CV203= 1000 lbs, CV206= 1095lbs

TOP-MOUNT BLOWER(Optional): adds 180 lbs and 24" height

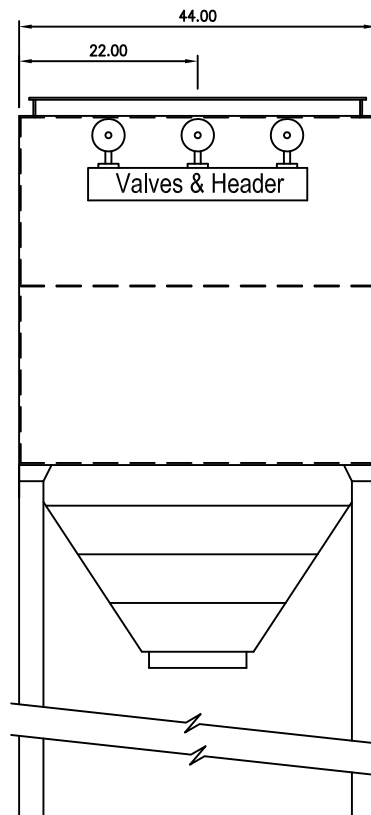
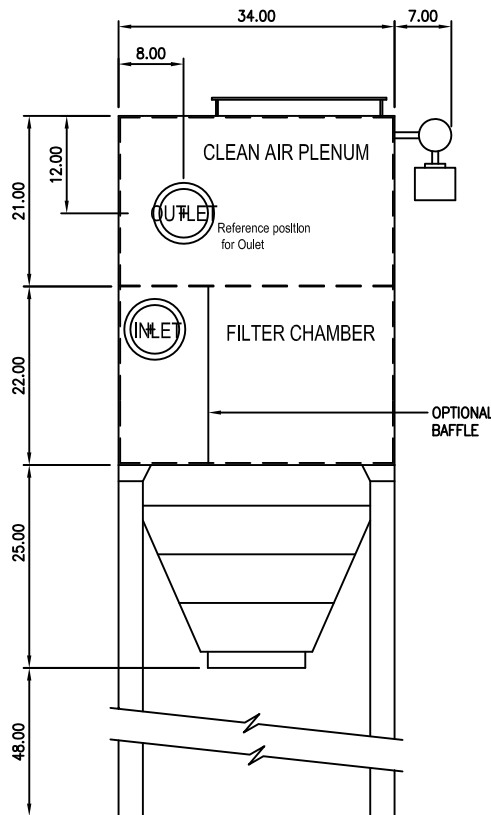
ELECTRICAL: CV203= 3 HP, 208-230/460/575 volt, 8,8/3,9/3,2 amps

CV206= 5 HP, 208-230/460/575 volt, 14,0/6,1/4,9 amps; 120 VAC, 1.2 W for timer controller.

NOISE LEVEL: 70-80 dBA

AIR CONSUMPTION (scfm @ 2 grains): CV-203 = 0.341scfm, CV-206 = 0.682scfm

Built to ISO 9001:2000 & CWB standards



| Fan Performance | 0 | 2 | 4 | 6 | 8 | " wg External |
|---------------------------------------|------|------|------|-----|-----|---------------|
| CV203 | 1083 | 960 | 830 | 700 | 500 | |
| CV206 | 2074 | 1750 | 1250 | NA | NA | |
| SCFM (standard cubic feet per minute) | | | | | | |

OPTIONS

- Outlet can be placed on any side except the side for valves & Header.
- Top-mount blower
- Silencer on outlet of fan
- Two aluminum dust drawers
- Hydro/Oleophobic cartridge media. Other special application medias, such as PTFE (Goretex) are available.
- On-demand cleaning control.
- Magnehelic gauge for reading filter condition.
- Perforated baffle between inlet and filter chambers for special and/or abrasive applications.
- Pre-coat feeder system for wet and oily dusts.
- Other special precautions for difficult applications

For your safety;
jobs should be submitted to
QAM engineering review.

All dimensions in inches.

Proprietary Information; subject to change without notice.

| | | | | | | | |
|----------------------------------|----------|--|--|-------------------|------------------------|----------|-------------------|
| DRAWINGS BY: 705.876.0053 | COMPANY: | QUALITY AIR MANAGEMENT 240 Camille Crescent, Waterloo, Ontario - phone: 1-800-267-5585 fax: 1-866-899-8954 www.qamanage.com | ALL DIMENSIONS ARE IN INCHES UNLESS STATED OTHERWISE | | | | PROJECTION: |
| | TITLE: | CV SERIES DUST COLLECTOR | PAGE: 1 OF 1 | DATE: 10/03/08 | SCALE: NOT TO SCALE | REV. No. | REV. DATE. |
| | | | | | | | DWG.No. CV-002 |