

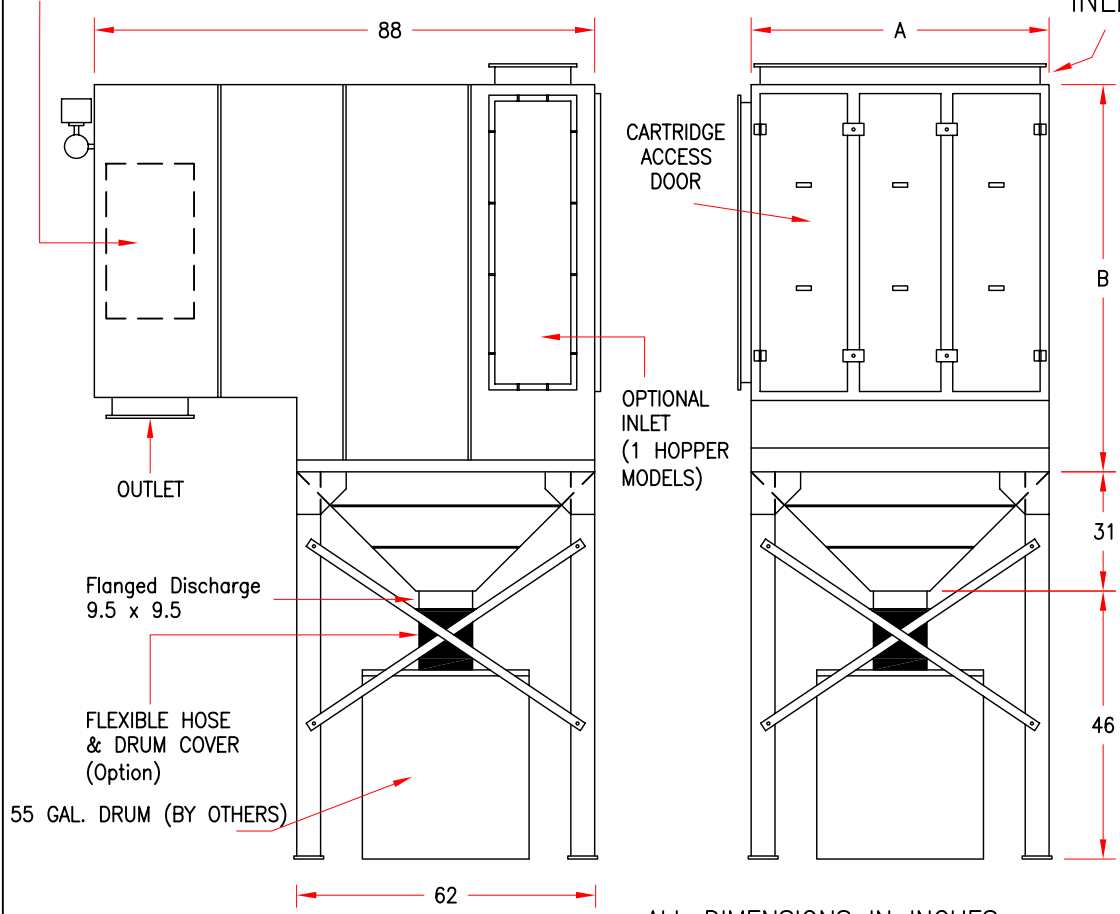
MODEL	RATED CFM	No. OF INLET & OUTLET	INLET & OUTLET SIZE	HOPPERS	FILTERS	VALVES	AIR CONSUMPTION		WIEGHT lbs.	A INCHES	B INCHES
							SCF(1)	SCFM(2)			
CS-3-1	3000	1	10 x 26 **	1	3	3	1.96	0.84	2100	64	26
CS-5-2	5000	1	16 x 26	1	5	3	3.92	1.68	2700	64	46
CS-6-2	6000	1	16 x 26	1	6	3	3.92	1.68	2700	64	46
CS-9-3	9000	1	16 x 40	1	9	3	5.88	2.52	3100	64	66
CS-10-2	10,000	2	16 x 26	2	10	6	3.92	2.80	5400	128	46
CS-12-2	12,000	2	16 x 26	2	12	6	3.92	3.36	5400	128	46
CS-15-2	15,000	3	16 x 26	3	15	9	3.92	4.20	8100	192	46
CS-18-2	18,000	3	16 x 26	3	18	6	3.92	5.10	8100	192	46
CS-18-3	18,000	2	16 x 40	2	18	6	5.88	5.10	6200	128	66

** Optional side inlet & outlet 12x16

(1) Per pulse @ 85 psi
(2) At 2 grains per cu. ft. dust loading

OPTIONAL OUTLET (1 HOPPER MODELS)

Standard INLET



ALL DIMENSIONS IN INCHES

- 12 gauge painted steel
- Access door to filter compartment
- Pyramidal hopper for dust collection
- Primary Filter: high efficiency flame retardant cartridges, 80/20 blend media for stability and wear resistance. The filters are designed specifically for "high-ratio" dust collectors with special features to allow operation at eight times higher filter ratio and extend the life by 2-7 times over conventional designs.
- Optional filters: Polyester spunbond, true anti-static treated media, "ULTRA-3D" special membrane high permeability media for oil-smoke applications, and many other medias selected for any difficult application.

FILTER CLEANING:

- Automatic self-cleaning advanced technology "high-ratio" reverse jet pulse. Designed to clean thoroughly and ENTIRELY ON-LINE, requiring no shutdown for after-pulse cleaning.
- Automatic sequencer is operated strictly on demand from a photohelic pressure switch. The system is computer designed to use 40% less compressed air, while optimizing the cleaning pulse to provide maximum cleaning flow and even distribution over the entire filter media surface. This is essential for 100% complete cleaning and producing a stable well developed filter cake.
- Backflush: Uses valves rated at 125% of required flow to ensure proper back-flush volume.

OPTIONAL:

- Top-mount blower for models up to CS-6-2, adds approximately 43 inches to the height. Blowers are rated for 4"WC. static pressure external to the collector.

QAM reserves the right to change design and specifications without notice.

COMPANY:		
QUALITY AIR MANAGEMENT CORP.		
TITLE:		
ULTRA-FLOW "CS" Series dust collector		
DWG.No.	CS-001	REV. No. 3
DATE:	6-8-04	DATE: 9/22/05
SCALE:	NOT TO SCALE	DRAWN BY: GRB